

GB

**Numatic**



**TTB1840 36V**

**BATTERY  
SCRUBBER DRYER**



**Original Instructions**

CAUTION, Read instructions before using the machine  
Keep for future reference



**Nu-Assist**



numatic.com

# Index

|                                       |       |                    |
|---------------------------------------|-------|--------------------|
| <b>Machine Overview</b>               | ..... | <b>Pages 2-3</b>   |
| <b>Control Panel Overview</b>         | ..... | <b>Page 4</b>      |
| <b>Quick Set up Guide</b>             | ..... | <b>Page 5</b>      |
| <b>Machine Set up Guide</b>           | ..... | <b>Page 6-7</b>    |
| Fitting the Brush / Pad               | ..... | Page 6             |
| Fitting the Floor-tool                | ..... | Page 6             |
| Filling the Clean Water Tank          | ..... | Page 7             |
| Fill Level Indicator                  | ..... | Page 7             |
| Water Flow Adjustment                 | ..... | Page 7             |
| <b>Machine Operation</b>              | ..... | <b>Pages 8-9</b>   |
| Setting the Cleaning Controls         | ..... | Page 8             |
| System Error Indicators               | ..... | Page 8             |
| Raising/Lowering Floor-tool.....      | ..... | Page 9             |
| Machine in Use                        | ..... | Page 9             |
| <b>Regular Maintenance</b>            | ..... | <b>Page 10</b>     |
| Emptying Top/Bottom Tank.....         | ..... | Page 10            |
| Separator                             | ..... | Page 10            |
| Changing Floor-tool Blades            | ..... | Page 11            |
| Refitting the Floor-tool Blades       | ..... | Page 11            |
| <b>Lifting the Machine</b>            | ..... | <b>Page 12</b>     |
| <b>Specifications</b>                 | ..... | <b>Page 13</b>     |
| <b>Trouble Shooting</b>               | ..... | <b>Page 13</b>     |
| <b>About the Machine</b>              | ..... | <b>Page 14</b>     |
| Rating Label / PPE / Recycling        | ..... | Page 14            |
| <b>Twintec Maintenance</b>            | ..... | <b>Page 14</b>     |
| <b>Information for Scrubber Dryer</b> | ..... | <b>Page 15</b>     |
| <b>Battery Information</b>            | ..... | <b>Pages 16-19</b> |
| Recommended Spare Parts               | ..... | Page 19            |
| Schematic Diagram                     | ..... | Page 20            |
| <b>Warranty</b>                       | ..... | <b>Page 21</b>     |
| <b>EU Declaration Document</b>        | ..... | <b>Page 22</b>     |
| <b>Company Address</b>                | ..... | <b>Page 24</b>     |

**PLEASE READ  
BEFORE COMMENCING  
OPERATION.  
KEEP FOR FUTURE REFERENCE**

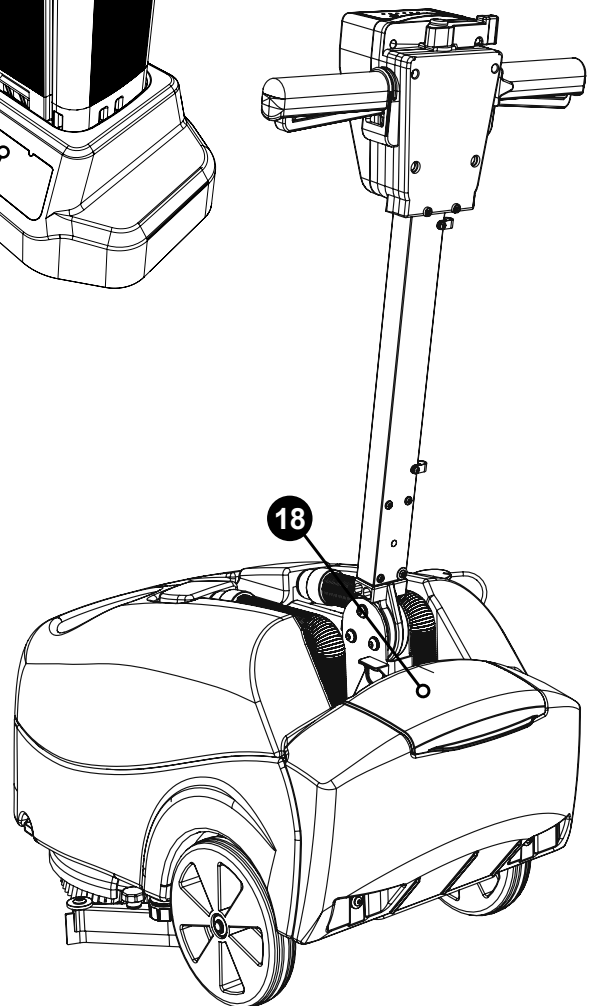
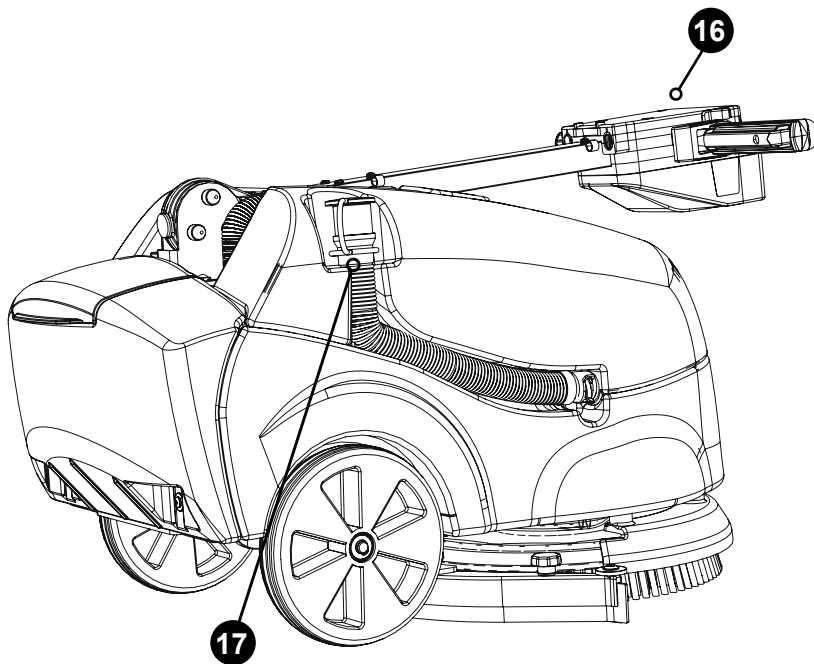
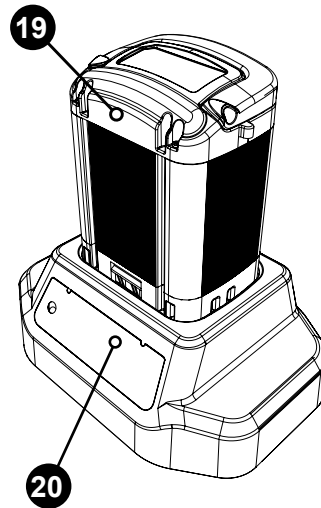
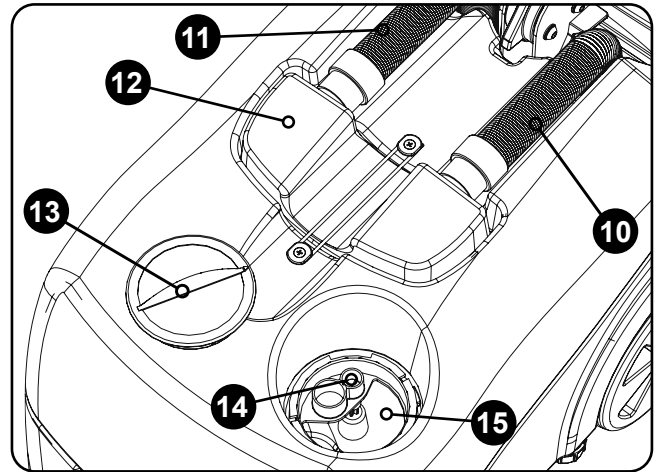
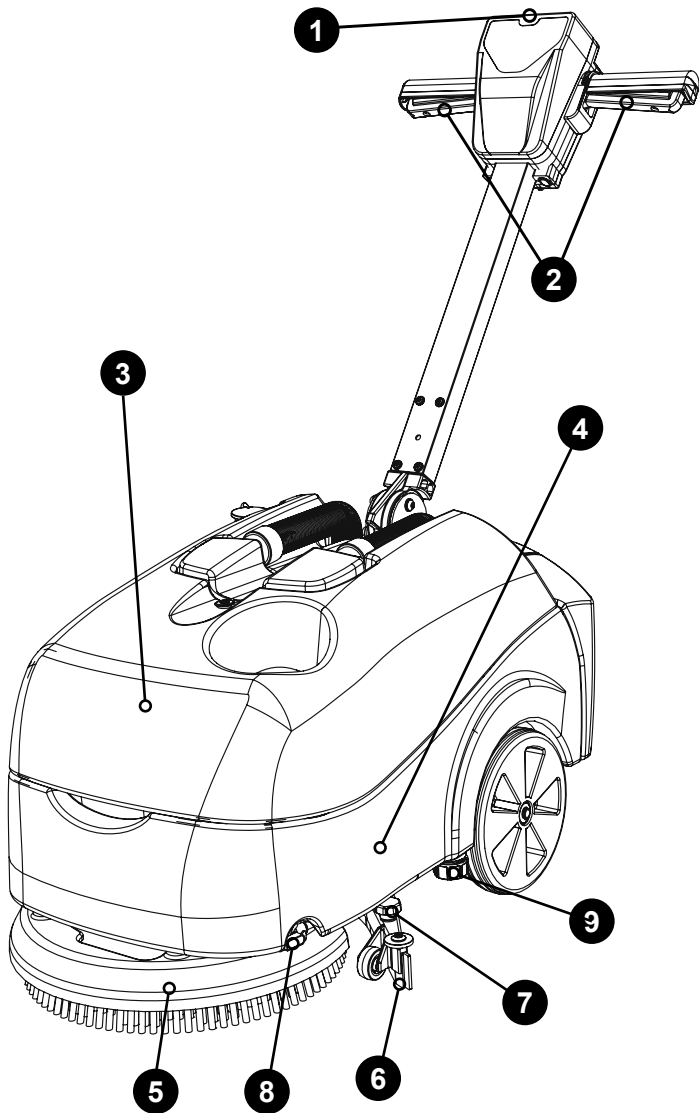
After the removal of all the packaging,  
carefully open and check the contents

- Owner Manual
- Battery & Charger Manual
- Battery Charger & Lead
- Battery • Scrub Brush
- Squeegee Assembly

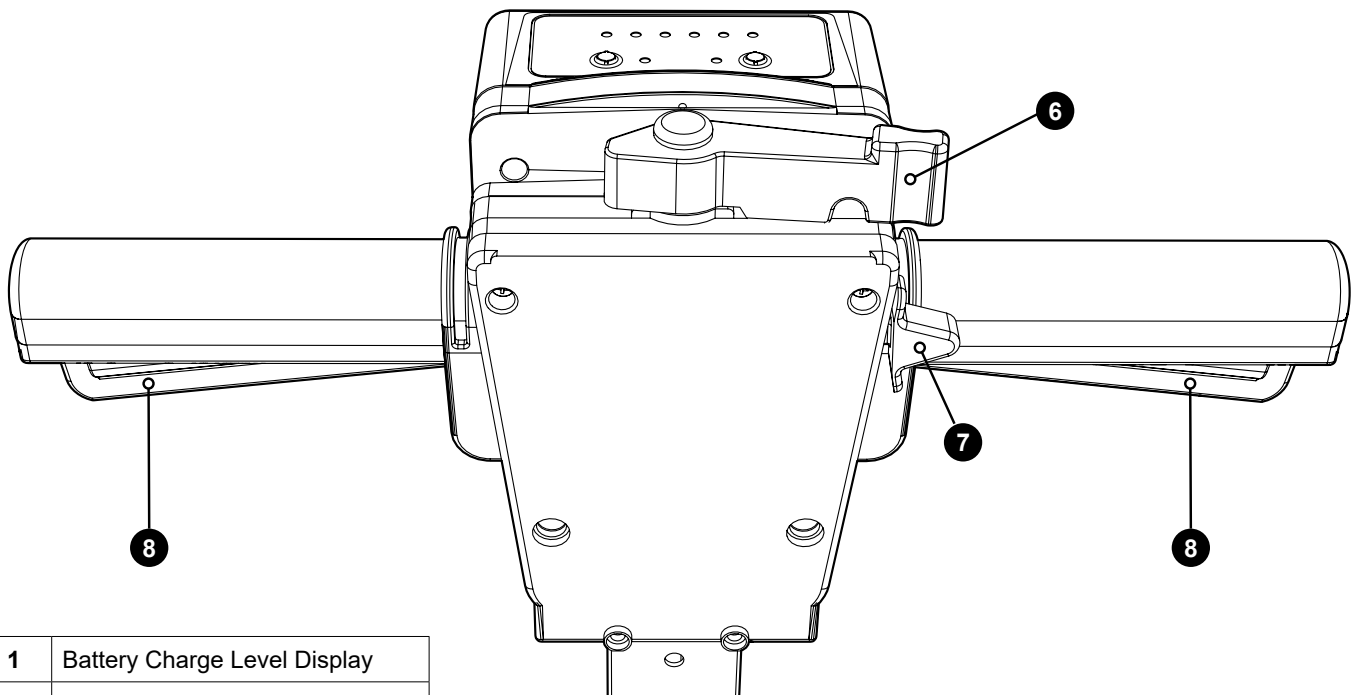
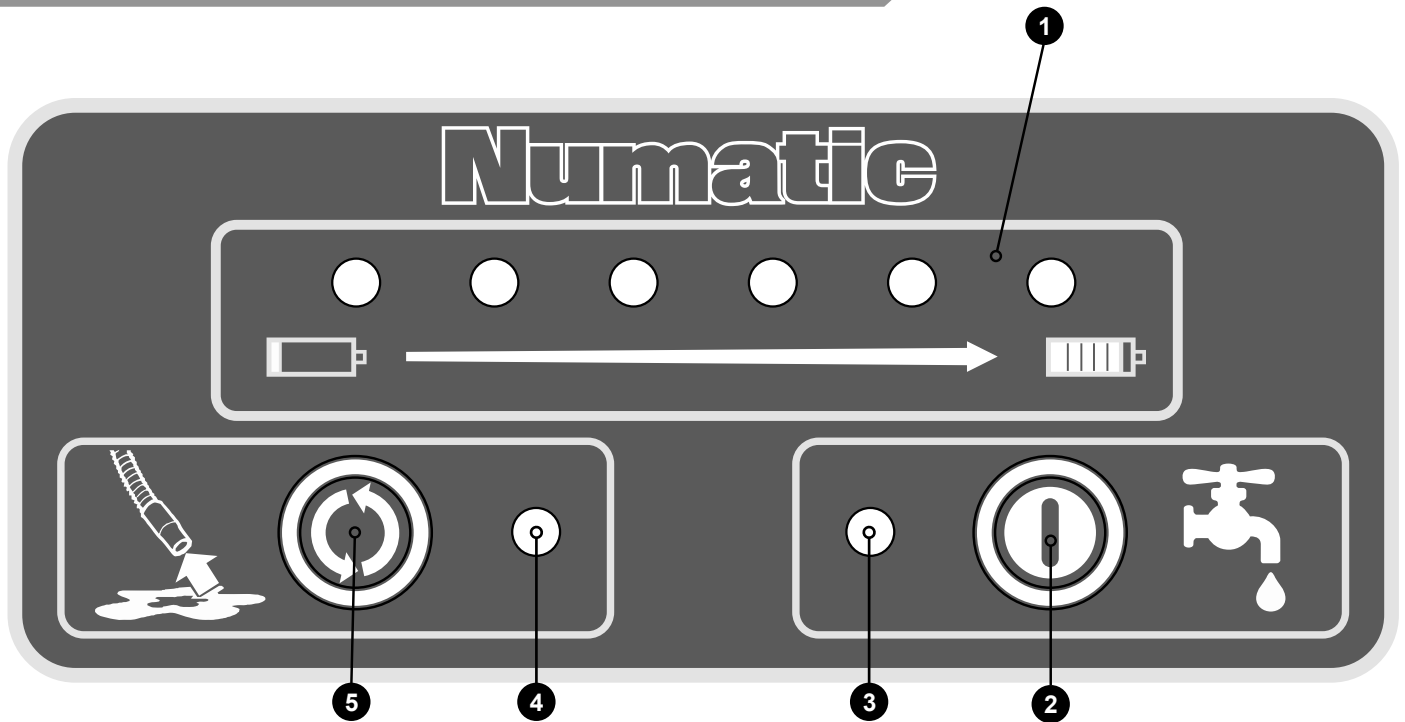
| Machine Overview |                                       |
|------------------|---------------------------------------|
| 1                | Operator control panel ( see page 4 ) |
| 2                | Triggers                              |
| 3                | Waste-water tank                      |
| 4                | Clean-water tank                      |
| 5                | Brush deck                            |
| 6                | Squeegee blades                       |
| 7                | Floor-tool retaining knobs            |
| 8                | Clean-water On / Off tap              |
| 9                | Clean-water emptying cap              |
| 10               | Floor-tool vacuum hose                |
| 11               | Vacuum hose                           |
| 12               | Separator                             |
| 13               | Clean-water filler cap                |
| 14               | Clean-water level indicator           |
| 15               | Clean-water tank fill point           |
| 16               | Start Switch                          |
| 17               | Top tank (waste water) drainage hose  |
| 18               | Battery compartment                   |
| 19               | Battery                               |
| 20               | Battery charger                       |

In the event of a breakdown contact  
your Numatic dealer or the  
Numatic Technical  
help line +44 (0)1460 269268

# Machine Overview



# Control Panel Overview



|   |                              |
|---|------------------------------|
| 1 | Battery Charge Level Display |
| 2 | Water Flow On / Off Button   |
| 3 | Water Flow Indicator         |
| 4 | Vacuum Off/On Indicator      |
| 5 | Vacuum Off/On Button         |
| 6 | Handle Position Lever        |
| 7 | Start Switch                 |
| 8 | Triggers                     |

In the event of a breakdown contact your Numatic dealer or the Numatic Technical Help line +44 (0)1460 269268

# Quick Set-up Guide

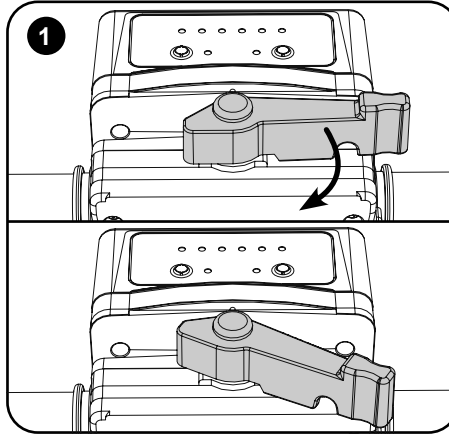


PLEASE READ BEFORE COMMENCING ANY OPERATION. AFTER THE REMOVAL OF ALL THE PACKAGING, CAREFULLY OPEN AND CHECK THE CONTENTS.

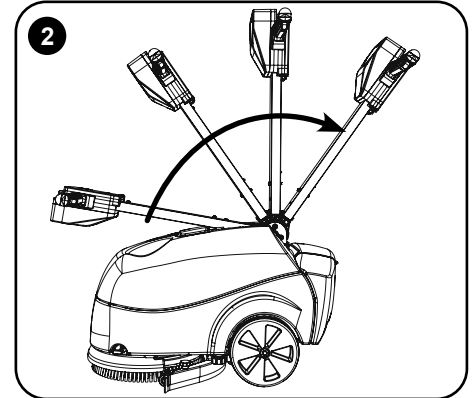


## TTB 1840 36V CONTENTS

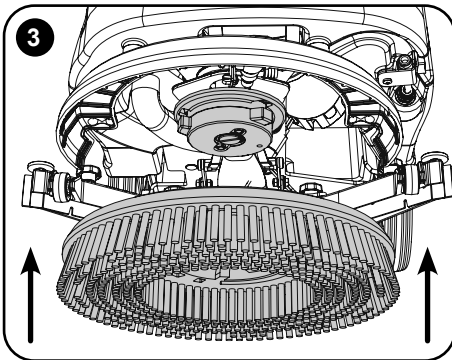
- Owner Manual
- Battery & Charger Manual
- Battery Charger & Lead
  - Battery
  - Scrub Brush
- Squeegee Assembly



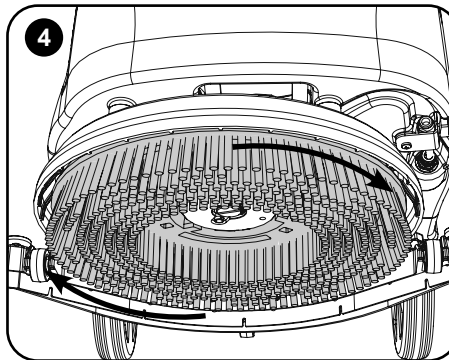
Using the handle position lever, (Fig.1)



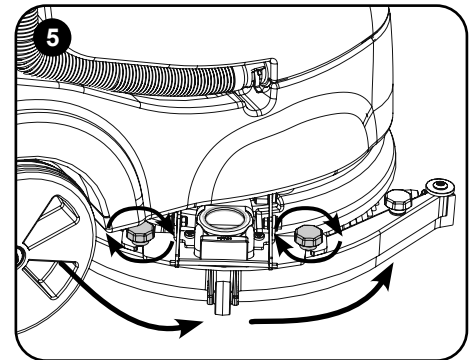
Move the handle into the upright position, (Fig.2)



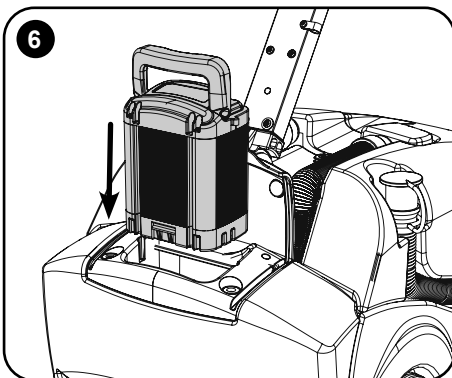
Slide the brush / pad under the brush deck (Fig.3).



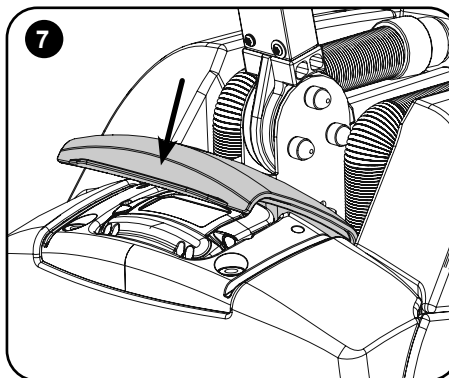
Fit the brush / pad onto the Nulock drive chuck, twist to lock the brush / pad in place (Fig.4).



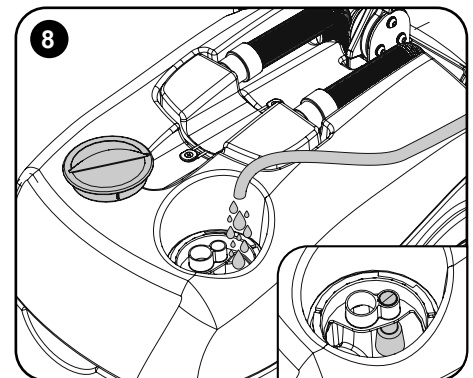
Swing the floor-tool carrier from behind the brush. Using the two locking knobs fitted to the floor-tool, secure the floor-tool to the floor-tool carrier (Fig.5).



Slide the battery into the battery compartment (Fig.6)



Close the flexible lid making sure it is sealed correctly. (Fig.7)



Fill the clean-water tank to Max of 18 litres



ALWAYS ENSURE THAT THE FLOOR IS PRE-SWEPT AND RELEVANT SAFETY SIGNS ARE DISPLAYED.



# Machine Set-up Guide



**ALWAYS ENSURE THAT THE MACHINE IS SWITCHED OFF BEFORE MAKING ANY ADJUSTMENTS**



## Fitting the Brush / Pad / Turn on water

400mm Brush / 360mm Pad.

Featuring the Nulock brush system.

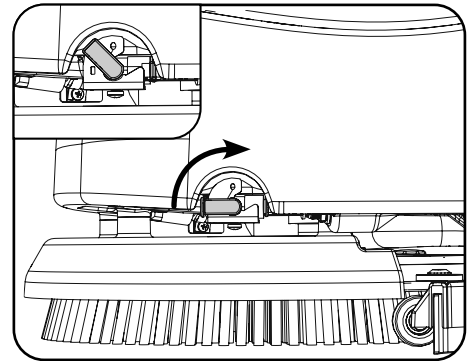
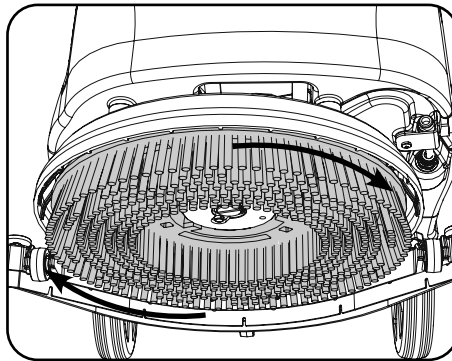
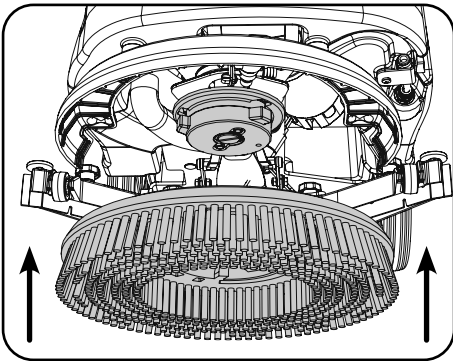
The brush is simply pushed and twisted to lock, making fitting and removal a simple process.

Slide the brush / pad under the brush deck.

Fit the brush / pad onto the Nulock drive chuck, twist to lock the brush / pad in place.

**Safety gloves are recommended for the changing of used brushes.**

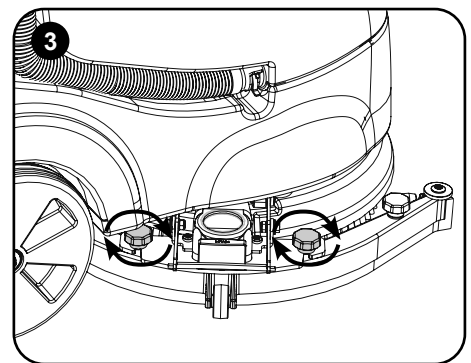
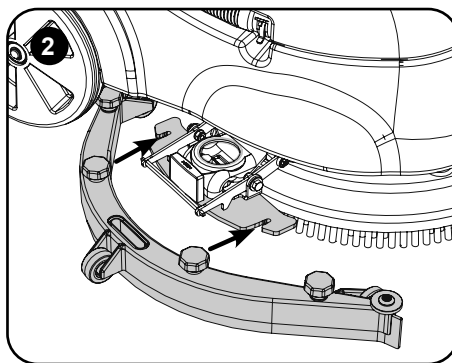
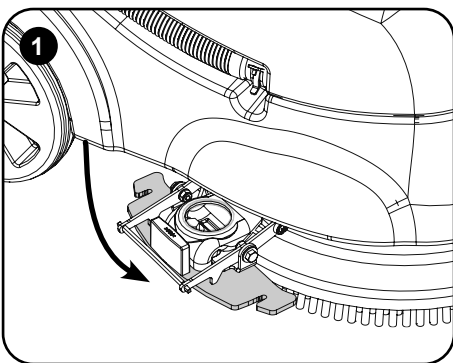
Turn on the clean water tap.



## Fitting the Floor-Tool

The floor-tool has been designed for quick fitting, allowing easy squeegee blade replacement and a safety knock-off feature if the floor-tool gets snagged, whilst in transit.

**NOTE: It is easier to fit the floor-tool if the weight of the machine is resting on the brush. Ensure the brush is fitted first.**



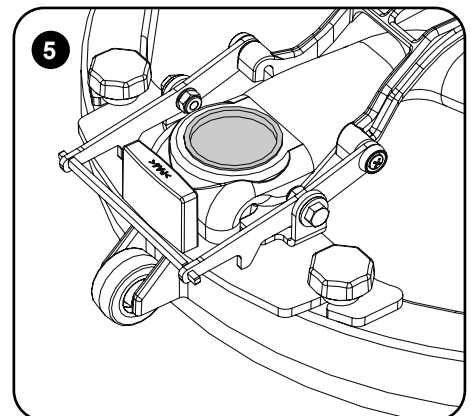
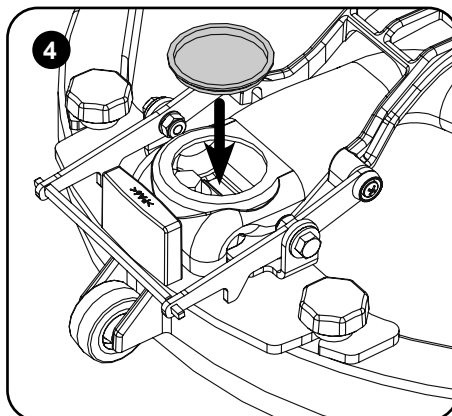
Swing the floor-tool carrier to the side of the machine. (Fig.1).

Secure to the carrier using the two knobs fitted to the floor-tool carrier (Fig.2) - (Fig.3).

Do not over tighten the retaining knobs.

Ensure inspection cap is in place on the fluid pipe. (Fig.4) - (Fig.5)

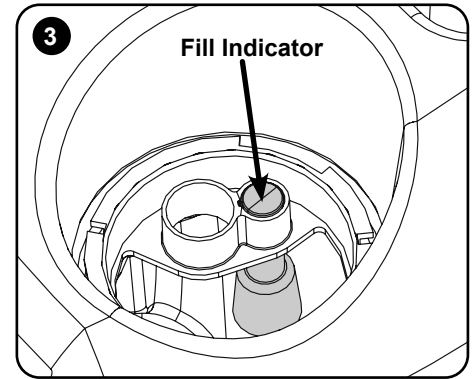
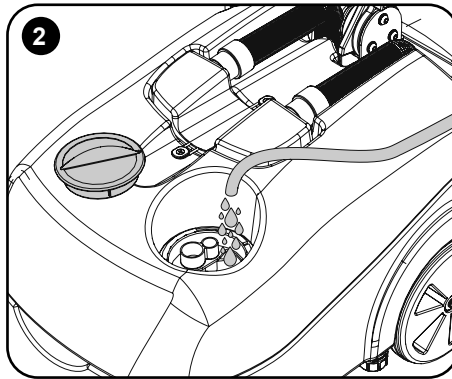
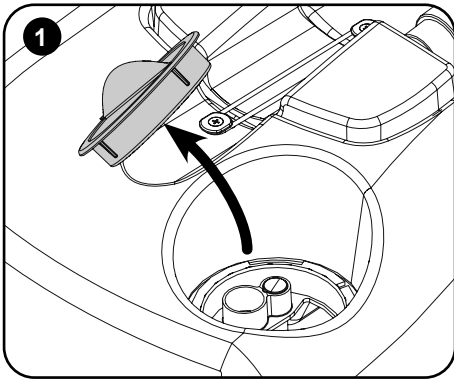
For fitting the floor-tool blades (See Page 11).



# Machine Set-up Guide

## Filling the Clean Water Tank

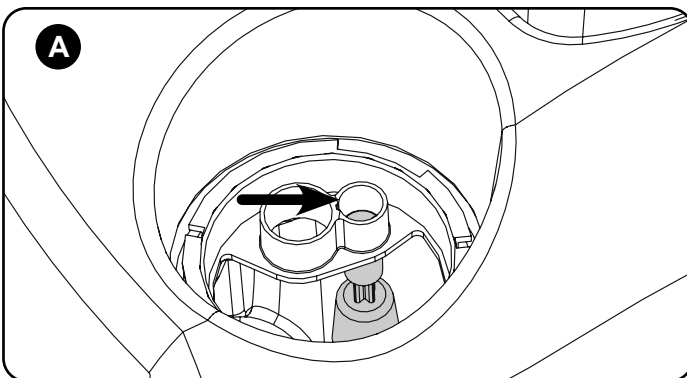
The TTB1840 is equipped with a large 18 litre clean-water tank allowing large areas to be cleaned in a single fill.



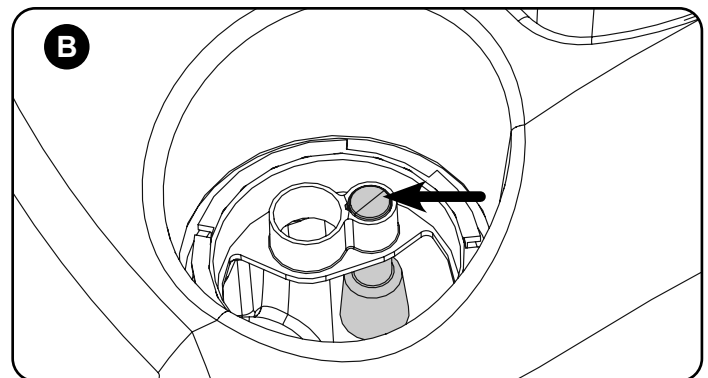
To fill the clean-water tank, remove the filler cap (Fig.1). Fill using a hose or a suitable container (Fig.2). Use the fill indicator (Fig.3).

**NOTE:** Great care must be taken to ensure that contaminants (leaves, hair, dirt, etc.) are not allowed to enter the clean water tank during the filling process. If using a suitable container, ensure it is always clean and free from debris.

## Fill Level Indicator

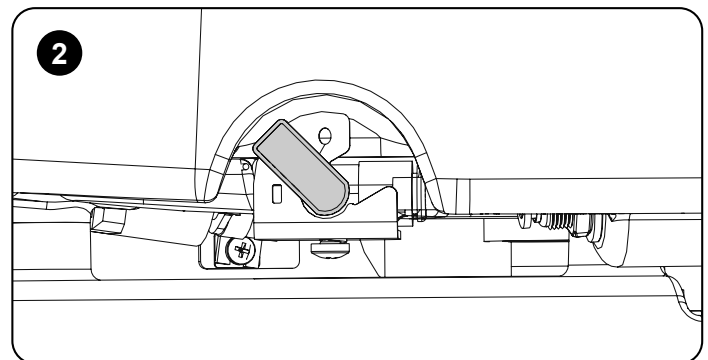
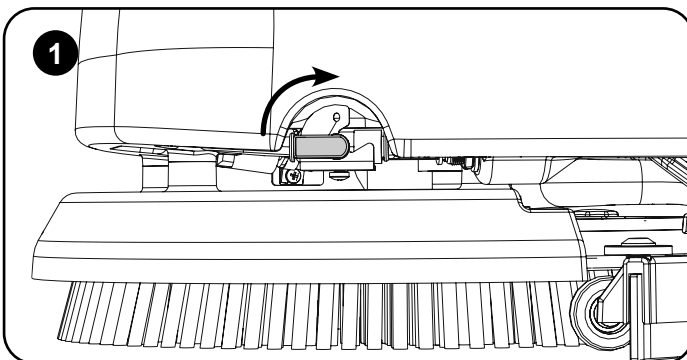


Showing the clean-water tank empty  
(Fig.A)



Showing the clean-water tank full  
(Fig.B)

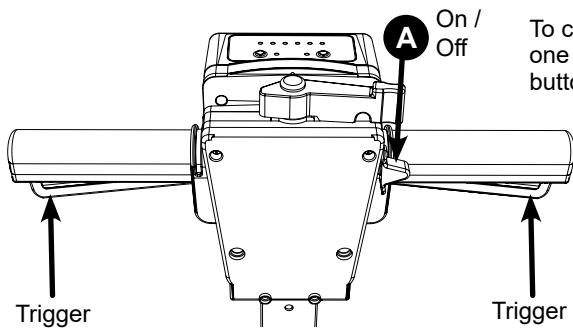
## Water Flow Adjustment



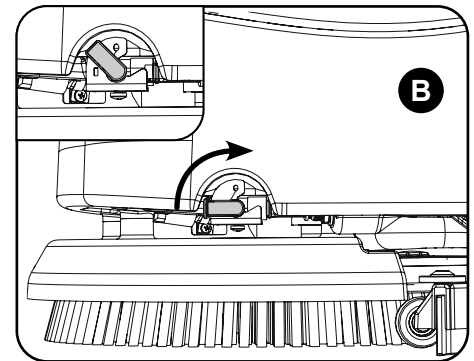
Located on the left of the machine is the On / Off water tap (Fig.1). Set the tap to enable the cleaning solution .(Fig.2).

# Machine Operation

## Setting the Cleaning Controls



To check the battery level pull one of the Triggers or press button (A).



To start the brush with the configured water and vacuum settings pull either trigger and press the Start switch (A).

**Note:** that the start switch (A) must be pressed after the trigger is pulled.

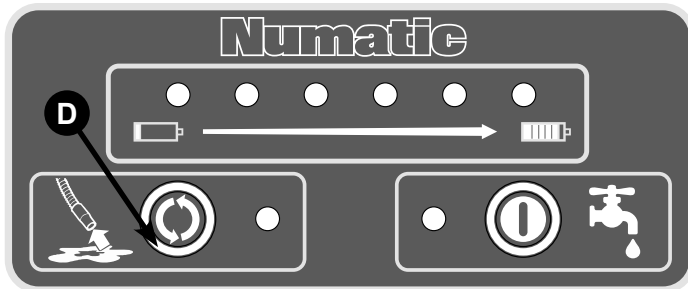
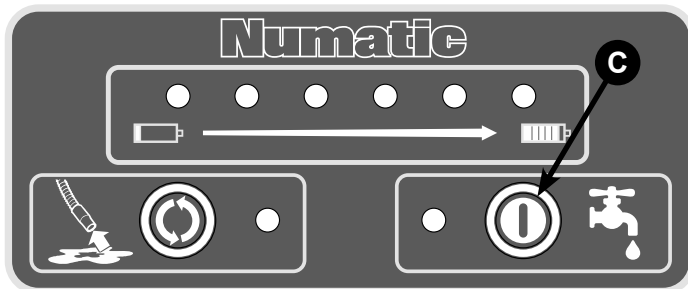
The running state of the vacuum and water can be adjusted with or without the brush running. First pull one of the triggers then press the vacuum and water buttons to set the desired operation. These states will be stored for use when the machine is restarted.

When the Triggers are released the brush motor and the cleaning solution pump will switch off, the vacuum motor will continue for 10 seconds.

To Enable /Disable Vacuum press button (D).

**Note:** that the vacuum can only be stopped by pressing the vacuum button (D) pulling the triggers will have no effect.

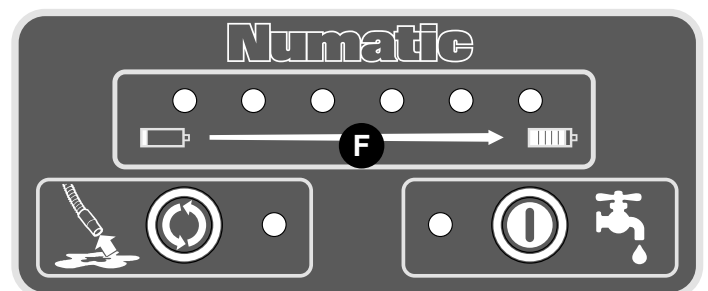
The panel if unused, will automatically turn off after 60 seconds.



In the event of a fault the battery lights (F) will flash and the unit will stop operating. The lights will flash a number of times then pause. The number of flashes can be used to identify the fault.

## System Error Indicators

| Number of Flashes | Priority | Description                    | Solution                     |
|-------------------|----------|--------------------------------|------------------------------|
| 1                 | Low      | Low Battery                    | Replace, Charge Batteries    |
| 2                 | High     | Battery over temp              | *Reset Machine               |
| 3                 | High     | Battery communications fail    | *Reset Machine               |
| 4                 | High     | Control board over temperature | *Reset Machine               |
| 5                 | High     | System power exceeded          | *Reset Machine               |
| 6                 | High     | Vacuum overload                | *Reset Machine               |
| 7                 | High     | Brush overload                 | *Reset Machine               |
| 8                 | High     | Control board failed           | Renew (contact service dept) |



The errors are split into two groups, low and high priority. Low priority errors are to be expected in normal operation and are represented by the left-hand battery light flashing. High priority errors indicate something more serious has happened and are represented by all six battery lights flashing.

\*Releasing the handle triggers will allow the machine to reset.



### IMPORTANT

If the brush motor keeps overloading consider using a different type of brush. Heavy brush load decreases the available battery run time.

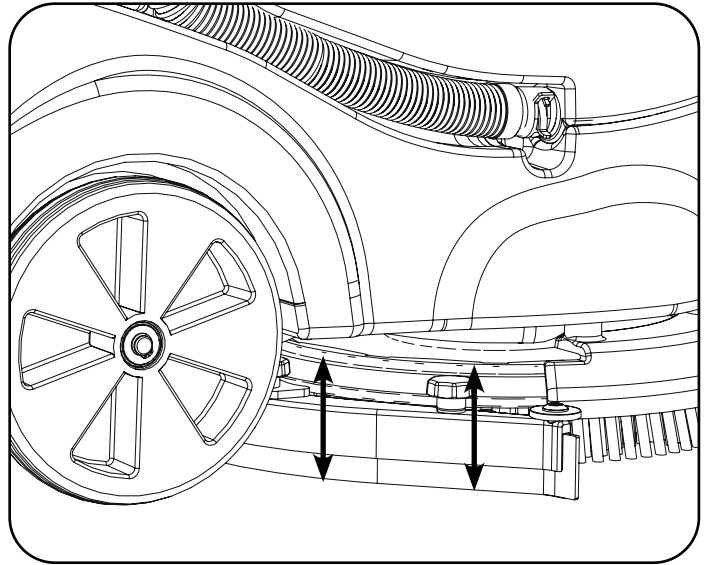
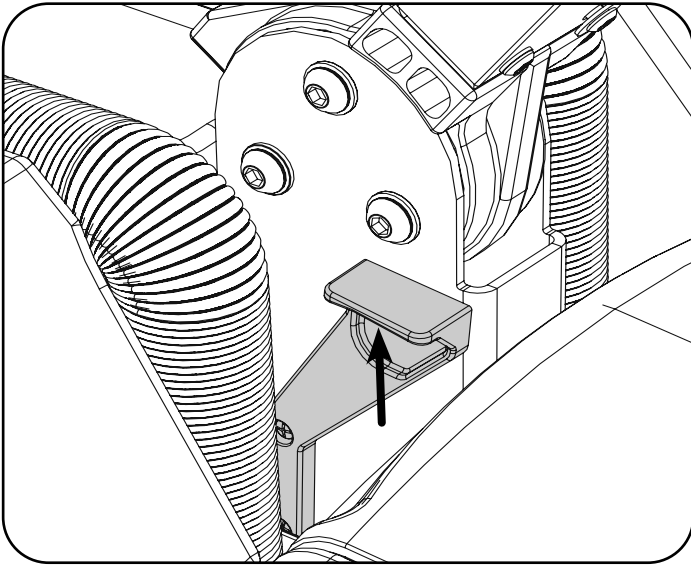




# Machine Operation

## Raising/Lowering the Floor-tool

To raise the floor-tool, ensure the floor-tool carrier is central to the machine. Lift the lever near the base of the handle and lock into position.



### WHEN HANDLING CHEMICALS

Always ensure that chemical manufacturer's safety guidelines are followed. Only use chemicals recommended for use in auto scrubber-dryers.



## Machine In Use

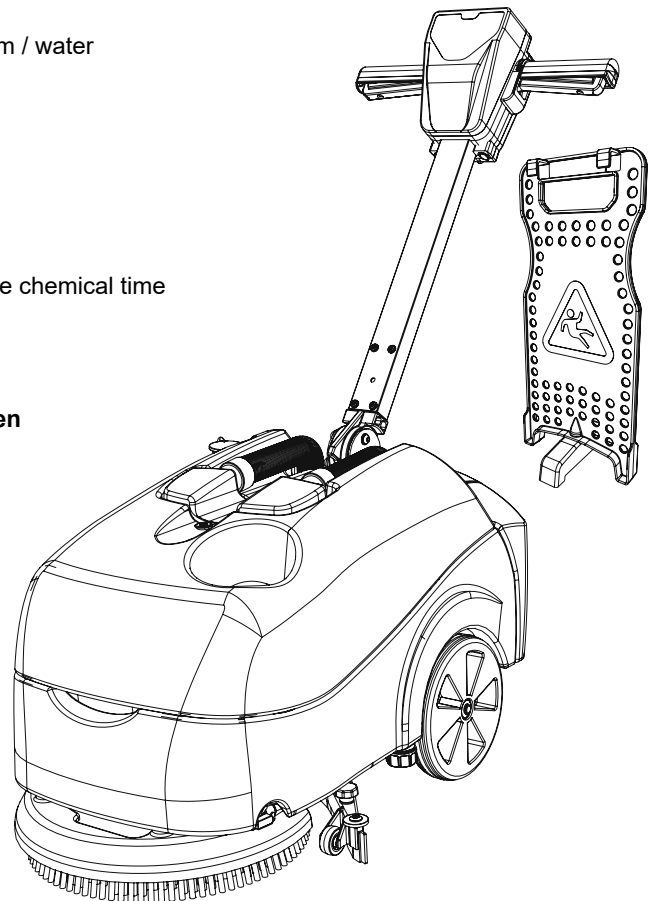
To operate, set water flow rate tap, lower the floor-tool, press the vacuum / water switches, pull trigger(s).

The waste water is then retrieved by the suction floor-tool. Overlap each scrubbing path by 10cm to ensure an even clean. Do not operate the machine on slopes that exceed (2%), when full.

On heavily soiled floors use a 'double scrub' technique. First pre-scrub the floor with the floor-tool in the raised position, allow the chemical time to work then scrub the area a second time with the floor-tool lowered.

If streaking occurs wipe floor-tool blades clean.

**NOTE:** Care must be taken to reduce speed when cornering or when manoeuvring around obstacles



### IMPORTANT

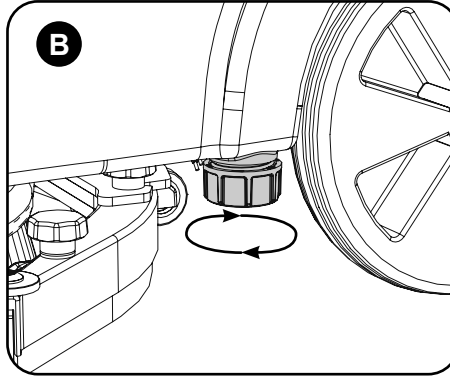
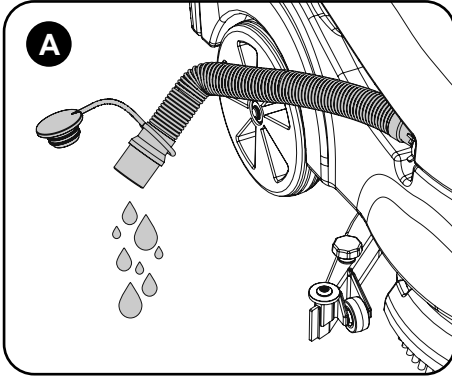
Do not operate machine unless the Operator Manual has been read and fully understood.



# Regular Maintenance



**ALWAYS ENSURE THAT THE BATTERY IS REMOVED  
PRIOR TO ANY MAINTENANCE OPERATION**



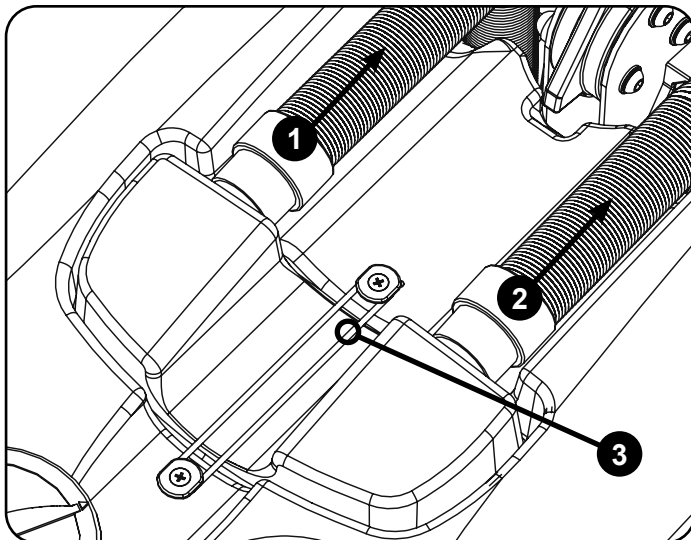
## Emptying Top Tank

After use, empty waste-water tank using emptying hose and flush-out with clean water. (fig.A).

## Emptying Bottom Tank

The clean-water tank can be drained via the red cap fitted to the left hand side of the machine. There is a sealing bung beneath the red cap (ensure the sealing bung is clean) The cap should only be done up by hand. (fig.B).

## Separator

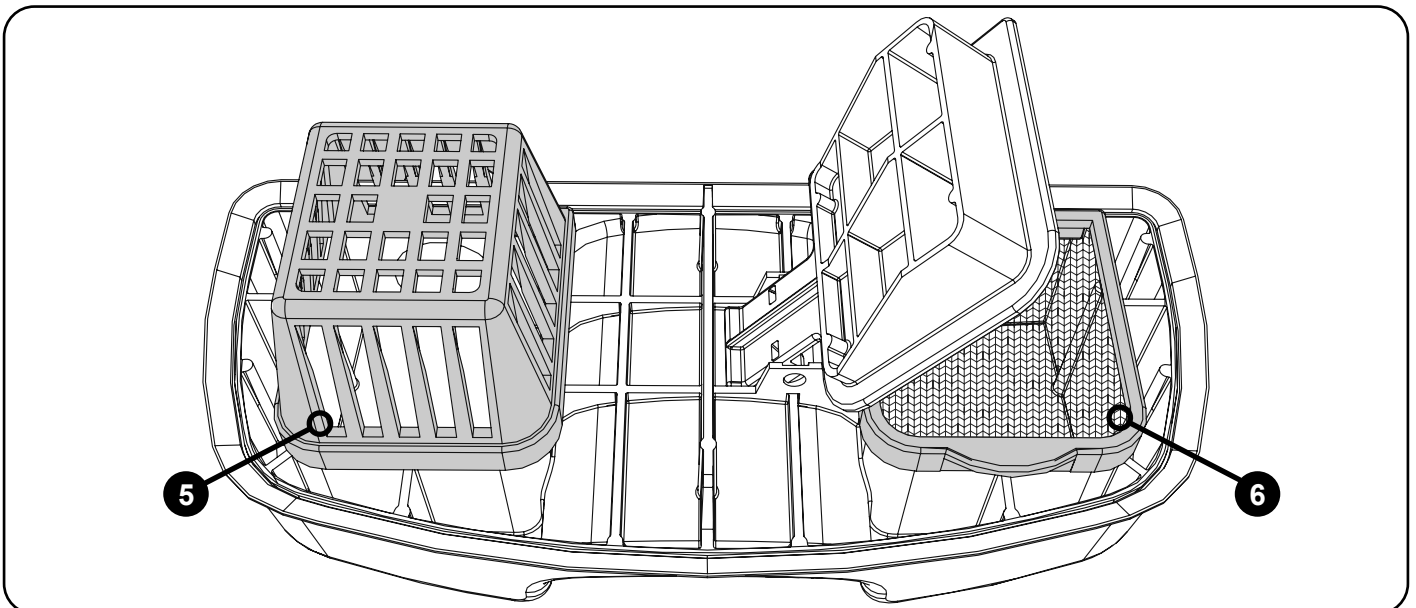
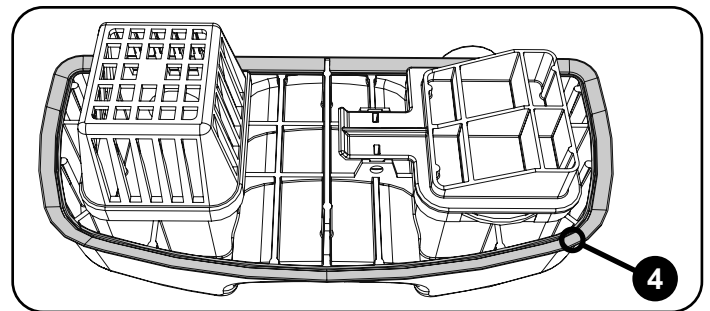


Remove the two hoses to disconnect the separator from the machine (1 & 2).

Remove fixing band holding separator in place (3).

Lift off the separator. The separator has a sealing-rubber which should be examined at every clean-down (4).

Rinse using clean water.



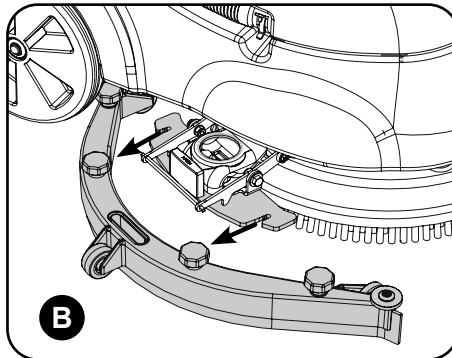
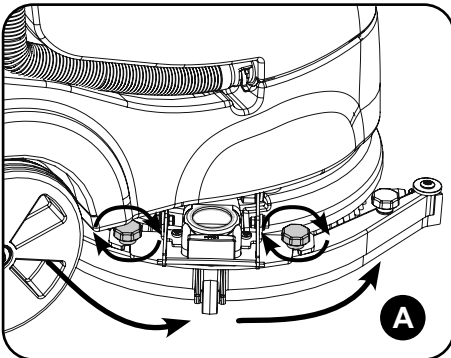
Remove the filter and basket clipped into the separator and flush with clean water (5 & 6).

Replace the filter by first fitting the rear of the filter first then clipping in the front to lock in place (5).

# Changing the Floor-Tool Blades

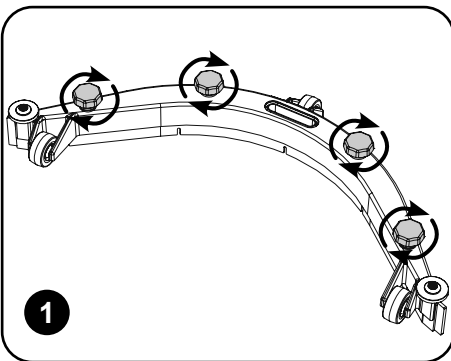


**ALWAYS ENSURE THAT THE BATTERY IS REMOVED PRIOR TO ANY MAINTENANCE OPERATION**

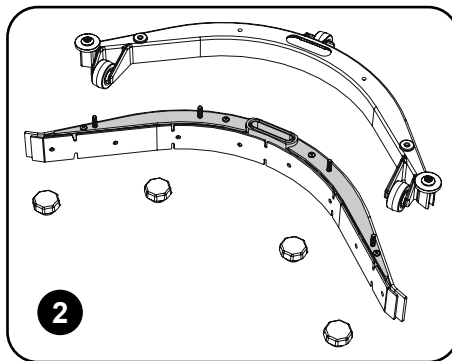


To change the floor-tool, firstly swing the floor-tool clear of the machine. Undo the two floor-tool retaining knobs (Fig.A).

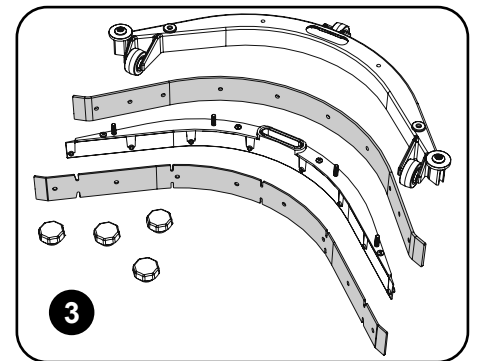
Pull the floor-tool away from the machine (Fig.B).



Unscrew the four knobs securing the blade holder (Fig.1).



Remove the blade holder (Fig.2).

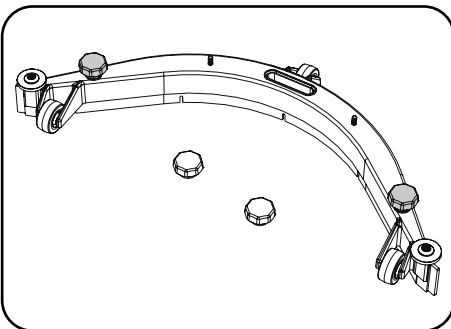


Replace the Squeegee blades using replacement blade set (Fig.3), fitting the blades on to the moulded location lugs.

## Refitting the floor-tool blades

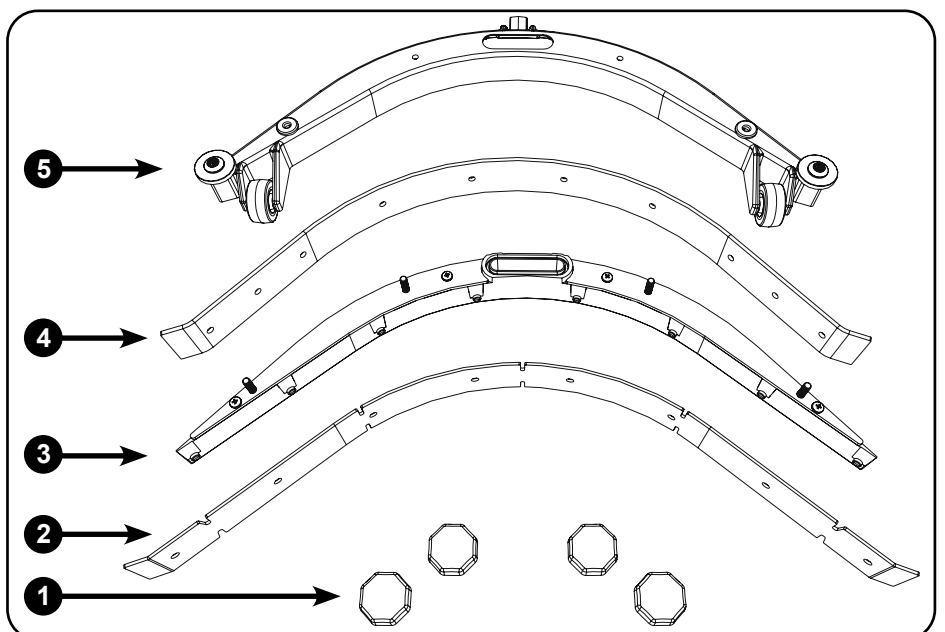
Refit the blade holder, retain using the two outer knobs. Ensure the slotted blade goes to the front of the floor-tool.

**Note:** The blades are designed to be reversible, thus extending their useful working life. Refit the floor-tool using the two central knobs to the floor-tool.

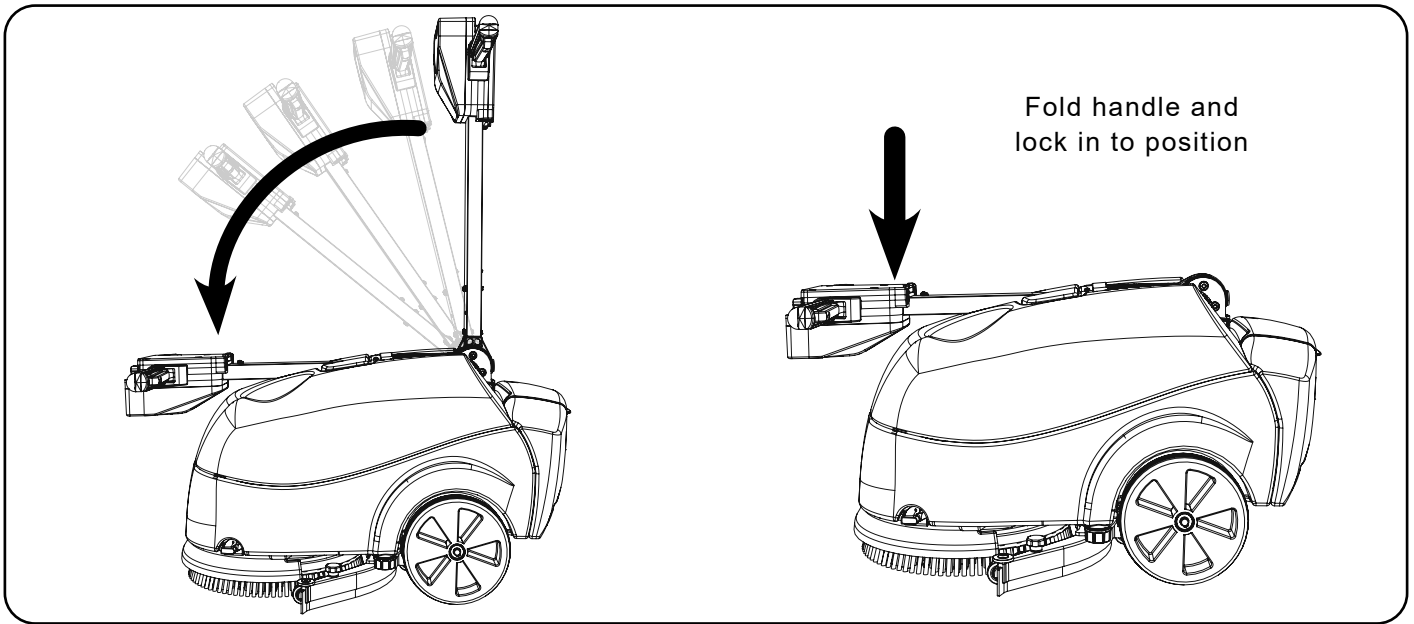


### Floor-tool Overview

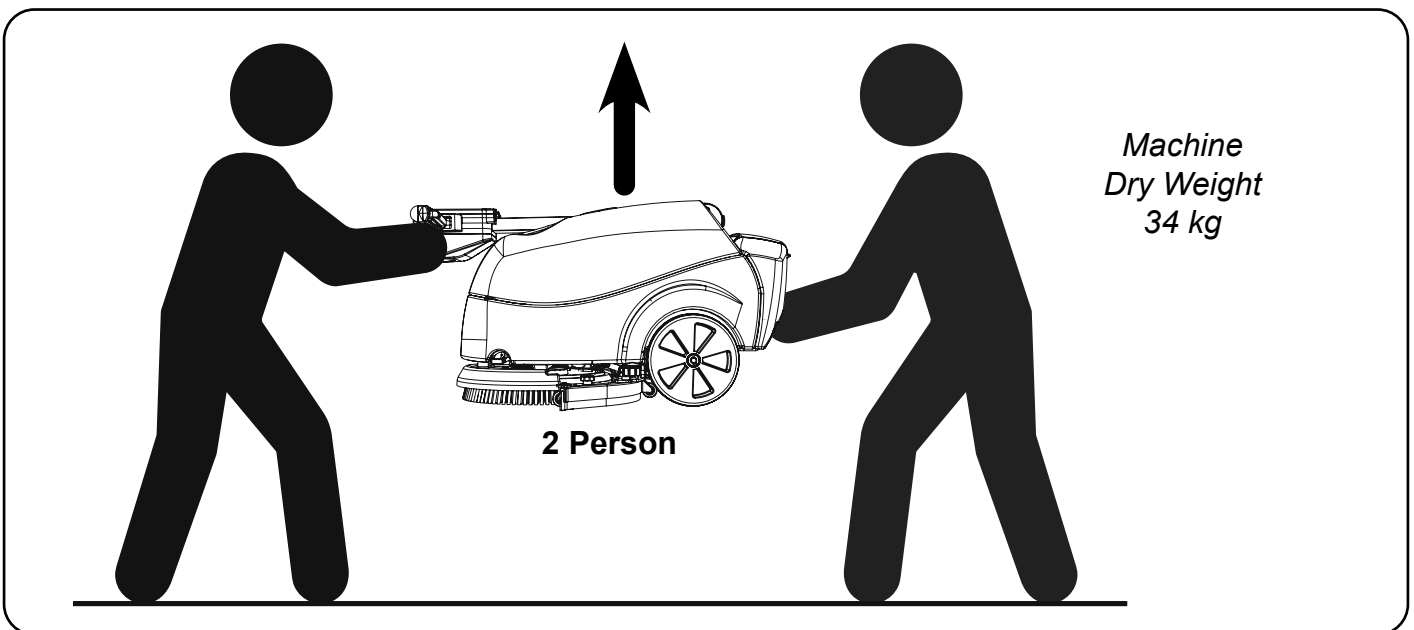
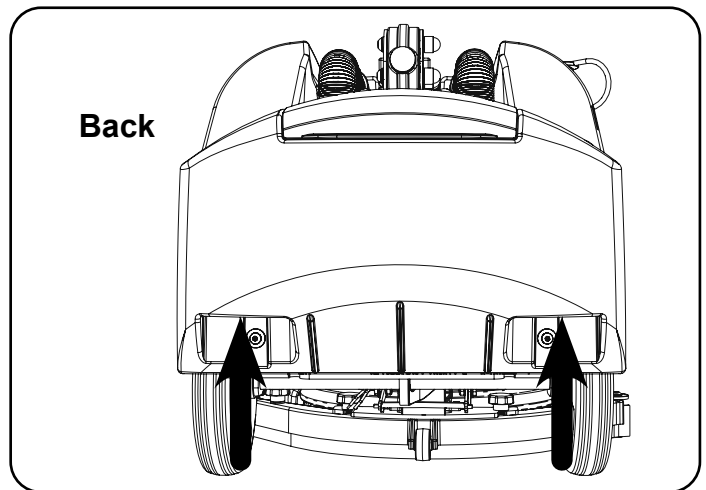
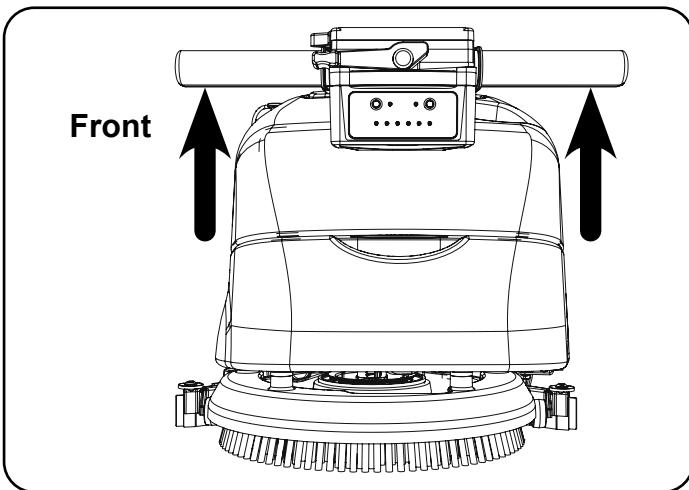
1. Retaining knobs x 4
2. Front blade (slotted)
3. Blade carrier
4. Rear blade
5. Floor-tool main body



# Lifting the Machine



## Lift Points



# Specifications

| Model - TTB1840 36V   |                        |                        |   |   |                              |
|---|------------------------|------------------------|---|---|------------------------------|
| Brush Motor   | Vac Motor              | Brush Sizes            | Pad sizes   | Net Weight                                | Gross Weight (Full)          |
| 175 W   | 100 W                  | 400 mm                 | 360 mm  | 34 kg                                     | 52 kg                        |
| Protection Class  | *Run Time              | Water Capacity         | Fluid Flow  | Sound Pressure (LpA)<br>Uncertainty (KpA) | Cleaning speed               |
| IPX4  | *60 Min                | 18 L                   | 0 - 0.7L/Min  | 65 dB(A)<br>±0.5 dB                       | 0 - 4.2 KPH                  |
| Brush Speed   | Brush Pressure         | Pad Pressure           | Dimensions  | Hand Arm Vibration                        | *Charge Time                 |
| 150 RPM   | 24.61g/cm <sup>2</sup> | 21.85g/cm <sup>2</sup> | Width = 520 mm<br>Length = 850 mm<br>Height = 1132 mm | 1.7 m/s <sup>2</sup>                      | *80%=60 Min<br>*100%=120 Min |
| <b>*Run and Recharge times may vary dependent on ambient temperature.</b> |                        |                        |   |   |                              |

# Trouble Shooting

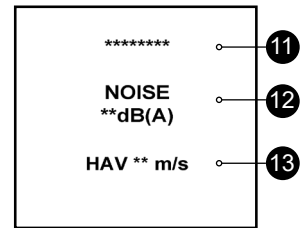
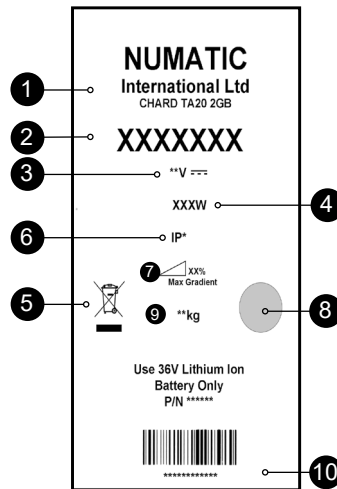
| PROBLEM                              | CAUSE   | SOLUTION  |
|--------------------------------------|---|---|
| Machine will not operate             | Battery not inserted correctly<br>Low battery charge<br>Faulty battery  | Insert battery (page 5)<br>Recharge battery (See battery & charger instructions)<br>Replace battery (page 5)  |
| Vacuum not operating                 | Vacuum not turned on<br>If vacuum light on but no vacuum operation  | Turn on vacuum (page 8)<br><br>Contact service agent  |
| Poor water pick-up                   | Waste-water tank full<br>Clogged / blocked vacuum hose<br>Loose hose connections<br>Debris basket filter clogged / blocked<br>Separator filter clogged / blocked<br>Poor separator seal<br>Damaged separator seal<br>Damaged / split vacuum hose<br>Damaged floor-tool blades | Empty waste-water tank (page 10)<br>Remove and clean (page 10)<br>Push tight connections (page 10)<br>Remove and clean (page 10)<br>Remove and clean (page 10)<br>Clean and refit (page 10)<br>Renew (contact service dept)<br>Renew (contact service dept)<br>Renew (contact service dept) |
| No brush / scrub function            | No brushes fitted<br>Brush overloaded   | Check and fit (page 6)<br>Reset machine (page 8)  |
| Little or no water flow              | Clean-water tank empty<br>Incorrect water flow setting<br>Tank filter blocked   | Fill clean-water tank (page 7)<br>Adjust tap as desired (page 6/7)<br>Remove and clean  |
| Machine just 'stops' while operating | Too much load on the brush system   | If cut out engages then the surface is too rough & an alternative machine may be required   |

**Failure to rectify the problem or in the event of a breakdown contact your Numatic dealer or Numatic Technical helpline +44 (0)1460 269268**

# About the Machine

## Rating Label

|    |                             |
|----|-----------------------------|
| 1  | Company Name & Address      |
| 2  | Model                       |
| 3  | Voltage / Direct Current    |
| 4  | Rated Input Power           |
| 5  | WEEE Logo                   |
| 6  | Ingress Protection          |
| 7  | Max Gradient                |
| 8  | Approval Mark               |
| 9  | Weight (ready to use)       |
| 10 | Machine yr/wk Serial Number |
| 11 | Model                       |
| 12 | Noise Rating                |
| 13 | Hand Arm Vibration          |



## Daily

Keep the machine clean.  
Ensure brushes/ pads/ squeegee/ filters are in good condition.  
Check for any worn or damaged parts and replace immediately.  
Drain and rinse dirty water tank after every use.  
Store machine with brush deck secured in tilted position.

## Weekly – as daily and –

Check brush or pad and skirt and rinse.  
Check floor tool blades for wear and wipe clean.  
Clean separator assembly including filter and check condition of seal.  
Flush out system with clean water and clean filters.

## Batteries

Always re-charge the batteries after use.

## TwinTec Maintenance

## WEEE (Waste, Electrical and Electronic Equipment)

Scrubber dryer Accessories and packaging should be sorted for environmentally-friendly recycling.



## Only for UK / EU countries.

Do not dispose of scrubber-dryer into household waste.  
According to the European Directive 2012/19/EU on waste electrical electronic equipment and its incorporation into national law.  
Scrubber-dryers that are no longer suitable for use must be separated, collected and sent for recovery in an environmentally-friendly manner.

PPE (Personal protective equipment) that may be required for certain operations.

|                             |                 |                     |               |  |
|-----------------------------|-----------------|---------------------|---------------|--|
|                             |                 |                     |               |  |
| Ear Protection              | Safety Footwear | Head Protection     | Safety Gloves |  |
|                             |                 |                     |               |  |
| Dust / Allergens Protection | Eye Protection  | Protective Clothing | Hi-Vis Jacket |  |

**Note: A risk assessment should be conducted to determine which PPE should be worn.**

*In the event of a breakdown contact your Numatic dealer or Numatic Technical helpline +44 (0)1460 269268*

# Information for Scrubber Dryer

READ MANUAL BEFORE USE  

| COMPONENT      | INTERVAL        | INSPECT FOR                                  |
|----------------|-----------------|--|
| Mains Lead     | DAILY           | Scuffing, cracks, splits, conductors showing |
| Brushes        | DAILY           | Bristle damage, wear, drive collar wear      |
| Squeegee Blade | BEFORE EACH USE | Wear, cracks, splits                         |
| Filters        | BEFORE EACH USE | Clogging and debris retention                |
| Tanks          | AFTER EACH USE  | Rinse dirty water tank after use             |

## WARNING

Read the instruction manual before using the appliance.

As with all electrical equipment care and attention must be exercised at all times during its use, in addition to ensuring that routine and preventative maintenance is carried out periodically in order to ensure its safe operation.

Failure to carry out maintenance as necessary, including the replacement of parts to the correct standard could render this equipment unsafe and the manufacturer can accept no responsibility or liability in this respect.

When ordering spare parts always quote the Model Number / Serial Number specified on the Rating Plate.

Warning do not use on slopes exceeding 2%.

This appliance is not intended for use by persons (including children) with reduced physical, sensory or mental capabilities, or lack of experience and knowledge.

Children should be supervised to ensure that they do not play with the appliance.

When detergents or other liquids are used, read the manufacturer's instructions.

Only use brushes provided with the appliance or those specified in the instruction manual.

The use of other brushes may impair safety.

A full range of brushes and accessories are available for this product.

Only use brushes or pads which are suitable for the correct operation of the machine for the specific task being performed.

It is essential that this equipment is correctly assembled and operated in accordance with current safety regulations.

When using the equipment always ensure that all necessary precautions are taken to guarantee the safety of the operator and any other persons who may be affected.

Wear non slip footwear when scrubbing. Use a respiratory mask in dusty environments.

When cleaning, servicing or maintaining the machine, replacing parts or converting to another function the power source shall be removed.

Battery operated machines shall be disconnected by removing the battery.

Machines left unattended shall be secured against unintentional movement.

When detergents or other liquids are used, read the manufacturer's instructions.

Operators shall be adequately instructed as to the correct use of the machine.

For battery and charger details please refer to your battery and charger original instructions.

## CAUTION

This machine is not suitable for picking-up hazardous dust. This machine is not to be stored outdoors in wet conditions.

This machine is for indoor use only.

**NOTES:** This machine is also suitable for commercial use, for example in hotels, schools, hospitals, factories, shops and offices.

This product meets the requirements of IEC 60335-2-72

## DO

- Ensure only competent persons unpack/assemble the machine.
- Keep your machine clean.
- Keep your brushes in good condition.
- Replace any worn or damaged parts immediately.
- Regularly examine the power cord for damage, such as cracking or ageing. If damage is found, replace the cord before further use.
- Only replace the power cord with the correct Numatic approved replacement parts.
- Ensure that the work area is clear of obstructions and / or people.
- Ensure that the working area is well illuminated.
- Pre-sweep the area to be cleaned.

## DON'T

- Use steam cleaners or pressure washers to clean the machine or use in the rain.
- Allow any inexperienced repairs. Call the experts.
- Leave the brush pad on the machine when not in use.
- Allow the machine to be used by inexperienced or unauthorised operators or without appropriate training.
- Use the machine without the solution tanks properly positioned on the machine, as shown in the instructions.

Expect the machine to provide trouble-free, reliable operation unless maintained correctly.

Lift or pull the machine by any of the operating triggers, use the main handle.

Remove the handle from the machine except for service and repair.

Attempt machine maintenance or lifting unless the battery has been removed.

# Numatic Lithium-ion Rechargeable Battery

36V | 8400mAh | 300Wh | 10INR19/65-3



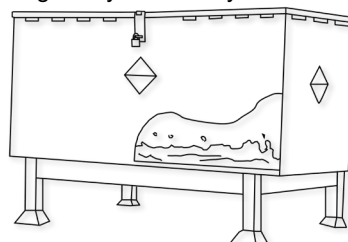
It is important that you observe the following information and warnings!

| Emergency Contact Information  |   |   |
|--|---|---|
| Address:   | CBAK BATTERY HEADQUARTERS<br>Shenzhen BAK ENERGY Co. LTD,<br>2603A BAK Tech Bldg,<br>9th Keyan Rd, Hi-tech Park,<br>Nanshan Dist,<br>Shenzhen City, China | NUMATIC INTERNATIONAL LTD<br>Millfield Road,<br>Chard,<br>Somerset,<br>TA20 2GB, UK |
| Tel:   | 0086-755-83283710   | 0044-146-068600   |
| Fax:   | 0086-755-8328649  | 0044-146-068458   |
| www.numatic.co.uk   www.numatic.de   www.numatic.ch   www.numatic.fr<br>www.numatic.nl   www.numatic.co.za   www.numatic.pt   www.numatic.es |   |   |

## 1. DEFECTIVE BATTERIES

1. If a customer wishes to return a battery to a supplier, then collection of the battery must be arranged by the supplier; however, **Faulty batteries must not be returned through the postal system or by courier.**
2. If on return to a supplier, OR at a customer base, a suspected defective battery shows any signs of impact damage, distortion, blistering, loose parts, liquid ingress or leakage then on no account should it be offered for condition checking. It must be considered defective and the procedures described from item 9 below should be followed.
3. If, on return to a supplier, OR at a customer base, a suspected defective battery, that shows No signs of impact damage, distortion, blistering, loose parts, liquid ingress or leakage, may be offered for condition checking with an appropriate battery condition checking device operated by a competent person.
4. If battery is subjected to any liquid ingress users should put the pack upright immediately, with the terminal face downwards.
5. If checking shows the battery to be defective then the procedures described from item 9 below should be followed.
6. If on checking the battery is found to be operational then a single recharge cycle under observation can be attempted with the appropriate Numatic charger.
7. If the battery recharges correctly on this single recharge cycle then it can be deemed a good battery.
8. If the battery fails to recharge correctly on this single recharge cycle then it must be deemed a defective battery and the procedures described from item 9 below should be followed. **On no account must any further attempt to recharge be made. A defective battery should not be stored inside buildings on any account.**
9. The defective battery should be discharged by placing it in a container of salt water located in a well-ventilated area. This container should contain 25 litres minimum of saline water at a concentration of 15g common salt / litre of water. The container should have a closed locked lid but should not be sealed. The battery should be left fully immersed in the water to a depth of at least 100mm for at least 2 weeks. The water should be disposed of as hazardous waste when the discharge is complete.
10. The defective discharged battery can then be stored in a locked battery waste container which should be plastic or plastic lined and placed away from buildings and clearly signed as a defective battery container with appropriate warnings.
11. The batteries should then be sent for waste disposal according with your country's waste regulations.

An example of a waste battery storage bin well away from buildings.





## 2. HANDLING AND STORAGE

### DANGER!

Improper handling can lead to an explosion or ignite a fire!  
Store batteries out of reach of children.

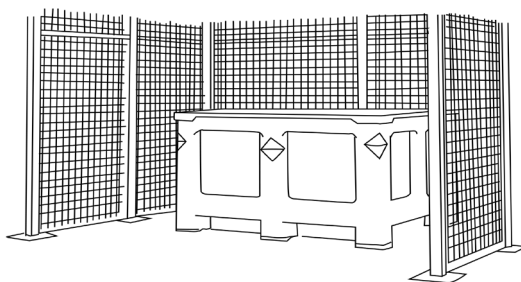
- Insert the battery in the appliance only when it is in use.
- Always remove the battery from the appliance for transport and when it is not in use.
- Storage temperature range:  $-10^{\circ}\text{C}$ ~ $55^{\circ}\text{C}$ .
- Temperatures must not exceed  $55^{\circ}\text{C}$ .
- Relative humidity range: 45 to 80%.
- Optimum preservation of functionality:  $15^{\circ}\text{C}$ ~ $25^{\circ}\text{C}$ .

### WARNING:

- Do not open the battery, disassemble it or allow it to fall from a substantial height.
- Protect the battery against short-circuiting – danger of explosion!
- Protect the battery against rain, do not immerse in liquids especially flammable liquids – danger of short-circuiting potential risk of fire or explosion. Follow defective battery disposal safety procedure. Insure the product is moved away from any combustible source.
- Protect the battery against direct sunlight, heat and fire.
- Do not incinerate the battery – danger of explosion!
- Do not use defective or deformed batteries.
- Use only original NUMATIC chargers to charge the battery.

### STORAGE:

- Good batteries should be stored in a protected area away from sources of direct heat and sunlight and should be kept dry.
- The temperature should not exceed  $55^{\circ}\text{C}$  but preferably not be above  $25^{\circ}\text{C}$  to maintain good battery performance.
- Storage area should be of low humidity, non dusty and a non corrosive atmosphere.



- An example of a well protected area with a cage to protect against accidental impact damage and with the batteries stored in a protective container to protect from heat, impact and accidental spillage of liquids.
- Care when handling / moving with forklift trucks or pallet trucks is needed at all times to avoid any physical damage to the batteries.
- If a good battery at any time is mishandled or subjected to any conditions that may damage it, as described in the battery Instruction manual supplied, it must then be considered as defective and procedures followed from Item 1 of this document overleaf.

## 3. HAZARDS IDENTIFICATION

- Electrolyte may escape from damaged batteries. Avoid contact.
- Contact can cause skin irritation, burns and chemical burns.
- If liquid comes into contact with eyes, seek medical attention.
- Avoid inhaling any vapours formed or released – caustic.

## 4. FIRST AID MEASURES

### In the event of contact with released electrolyte or electrolyte vapours:

- Eye contact – flush eyes for at least 15 minutes with plenty of clean water without rubbing and seek medical attention.
- Skin contact – wash affected areas of skin with plenty of water and soap; if irritation persists, seek medical attention.
- Inhalation – provide fresh air or administer oxygen immediately and seek medical attention.
- Ingestion – if electrolyte has been ingested, seek medical attention immediately.

### Information for physicians:

- Contains caustic alkaline electrolytes in cells with lithium oxide, nickel oxide and cobalt/lithium manganese oxide cathodes – NO LITHIUM METAL OR LITHIUM ALLOYS.

## 5. FIRE FIGHTING MEASURES

- In case of fire – Keep clear of vapours and gases generated, take wind direction into consideration. If possible without danger, remove batteries from the vicinity of the fire. In principle, cooling or extinguishing with water is possible, but should only be done by trained personnel with sufficiently large quantities of water.
- If the hazard situation is unclear, extinguish only with ABC powder extinguishers (Class D extinguishers for fires involving metals are especially suitable).
- Fire fighters should only approach the fire wearing protective clothing and self-contained breathing apparatus.
- Once the fire has been extinguished, as a rule, the area should be monitored (fire watch) and cleaned up by trained and appropriately equipped personnel; fire residue should be contained and disposed of properly.

## 6. EXPOSURE CONTROLS, PERSONAL PROTECTION

### Respiratory Protection:

- In case of battery venting, providing as much ventilation as possible. Avoid confined areas with venting batteries.
- Respiratory Protection is not necessary under conditions of normal use.

### Ventilation:

- Not necessary under conditions of normal use.
- Protective Gloves:
- Not necessary under conditions of normal use.

### Other Protective Clothing or Equipment:

- Not necessary under conditions of normal use.
- Personal Protection is recommended for venting batteries: Respiratory Protection, Protective Gloves, Protective Clothing and safety glass with side shields.

## 7. ACCIDENTAL RELEASE

Disposal – Wear protective gear, wipe up with absorbent textile and dispose of as hazardous waste at collection points for hazardous waste according to national regulations.

## 8. DO

- Use NUMATIC batteries only with NUMATIC appliances and charge them only using NUMATIC chargers.
- Charge battery before use.
- Store the battery out of the reach of children.
- Secure the appliance against unintentional start up – remove the battery from the appliance before transporting or storing the appliance.
- Protect from rain and liquid ingress
- Protect from direct sunlight, heat, and open flames.
- Keep a battery that is not in use away from metal objects, (e.g. nails, coins, jewellery).
- Follow the disposal advice of the manufacturer and any internal waste management guidance.
- Use and store the battery with-in temperature range (as shown in Temperature Range Table).

**Warning:** The battery included in this product must only be charged by the Numatic Charger and docking system supplied with the product and in NO circumstances should an alternative non Numatic charger be used as there is risk severe damage and fire could result.

Note\* “If batteries are subjected to temperatures beyond normal operating limits automatic shutdown will occur. Under these conditions allow the batteries to acclimatise at room temperature (180C – 220C) for several hours to allow the battery to wake up”.

| Temperature Range Table |            |
|-------------------------|------------|
| CHARGING                | 5°C~35°C   |
| DISCHARGING             | 5°C~35°C   |
| STORAGE OPTIMUM         | 15°C~25°C  |
| STORAGE LIMIT           | -10°C~55°C |

## 9. DO NOT

- Throw battery into fire – risk of explosion!
- Charge or use a defective, damaged or deformed battery including batteries subjected to liquid ingress.
- Open, damage or drop the battery.
- Expose the battery to microwaves or high pressure.
- Immerse in fluids, especially flammable liquids.
- Insert objects in the battery’s cooling slots.
- Bridge (short circuit) the battery terminals with metallic objects since this may damage the battery.
- Use metal containers for transporting batteries.
- Expose the batteries to high temperatures including direct sunlight.
- Crush, break open or physically abuse the batteries or the equipment that contains them.

## 10. DISTRIBUTOR TAKE-BACK / DISPOSAL



- On the basis of Battery Directive, the manufacturers take responsibility for financing collection, treatment and recycling of batteries used in devices. To this end, batteries must be handed over for disposal to the collection systems established for this under national law. Disposal of batteries together with household waste is prohibited; batteries must be collected separately according to type.
- Return the battery free of charge to your NUMATIC servicing dealer for disposal or hand it over to an appropriate public collection point.

## 11. CHARGING BATTERIES

- The charger is intended for use only on flat surfaces, place horizontally on floor or work surface. The charger is intended for use with the detachable power cord supplied, the power unit is capable of operating at different voltages without user adjustment. If the charger is damaged or does not charge anymore, please return to service centre.

### Charging Procedure:

- Ensure the battery is fully inserted into the charger.
- Fit the mains power cord to charger and suitable power supply.

**Please Note:** If the battery is above its optimum charging temperature (due to ambient temperature or it if was recently discharged) the charger LED will illuminate on/off RED for a maximum of 40 minutes whilst the battery temperature falls to an acceptable level for charging to begin.

- The LED should show RED to indicate charging.
- Once fully charged the LED will show GREEN.
- If power is supplied to the charger with no battery fitted the LED will show GREEN to indicate STAND-BY status.

### CAUTION!

- Check the mains cord regularly for any sign of damage.
- Do not use damaged devices.
- If the mains cord of the charger is damaged, it must be replaced by an original NUMATIC INTERNATIONAL cord available from the manufacturer or service agent.

## 12. WARRANTY

### Lithium-Ion Battery Warranty

#### Warranty: Commercial Use

a. Batteries are warranted (3 Year) providing all battery care rules are followed

b. To claim warranty the following details must be supplied

i. Serial number of the machine

ii. Battery date code

iii. Date purchased

iv. Proof of Purchase

v. Maintenance history and charging regime

Failure to use the correct Numatic charger will void your warranty.

# Spare Parts

| Part No. | SPARES & ACCESSORIES    | Part No. | SPARES & ACCESSORIES           |
|----------|-------------------------|----------|--------------------------------|
| 911334   | LITHIUM BATTERY CHARGER | 912363   | CHARGER CABLE (SOUTH AFRICAN)  |
| 912365   | CHARGER CABLE (UK)      | 912360   | CHARGER CABLE (AUSTRALIAN)     |
| 912361   | CHARGER CABLE (EURO)    | 912362   | CHARGER CABLE (NORTH AMERICAN) |
| 912364   | CHARGER CABLE (SWISS)   |          |                                |



# Numatic International Warranty

Numatic International Limited warrant to the original purchaser that its products are free of defects in both material or workmanship for the period shown below:-

|  |                     |
|--|---------------------|
| Homecare and Cleancare Vacuum cleaners.....          | 2 Years             |
| Rotary Floor Machines.....                           | 2 Years             |
| Twintec Auto Scrubber Dryer.....                     | 1 Year              |
| Vario Ride-On Scrubber Dryer.....                    | 1 Year / 1500 hours |
| Mopping, Compacts, Combi and Servocare Products..... | 1 Year              |
| Individual Accessories and Spare Parts.....          | 6 Months            |

*Note: This warranty expressly excludes consumable parts such as carbon brushes, floor brushes, mops, batteries etc, that are considered replaceable from time to time during the normal working life of the machine.*

*Using non Numatic dustbags can be detrimental to both machine performance and life and may invalidate the Warranty.*

- A. The warranty period commences from the date the goods are purchased.*
- B. All warranty claims must be processed through the Dealer from whom the equipment was purchased. The Dealer will co-operate with the purchaser throughout the warranty claims procedure and will arrange any necessary repairs using genuine Numatic parts.*
- C. If the original Dealer is no longer able to fulfil his obligations please contact Numatic International Limited with full details of the claim and proof of purchase so that this may be processed without delay.*
- D. Any warranty claim can only relate to the specific part that is proven to be at fault and for which a replacement will be supplied but cannot be extended to constitute a claim against the complete machine.*
- E. Numatic International will supply the Dealer with any warranty parts required, subject to the claim being validated, after return of the faulty items in accordance with Numatic International Limited's General Conditions of Sale.*
- F. Claims will not be accepted if they are the result of fair wear and tear, misuse or abuse of any kind.*
- G. No replacement will be given unless the appropriate evidence of the validity of the claim has been provided to the satisfaction of Numatic International Limited.*
- H. Numatic International Limited reserve the right to charge for any unnecessary work carried out as a result of an invalid claim.*
- I. No variation to this warranty may be made or implied by any member of Numatic International Limited or its Dealers unless such variation is in writing and authorised by the Company*

# Numatic

Numatic International Limited. Chard, Somerset, TA20 2GB

Telephone: 01460 68600 Fax: 01460 68458

© Numatic International Limited

|  |  |
|--|--|
| <b>UKCA Declaration of Conformity</b>  |  |
| <b>Manufacturer:</b>   | Numatic International Limited<br>Chard<br>Somerset<br>TA20 2GB<br>www.numatic.co.uk<br>TTB1840, HTB1840                                  |
| <b>Product:</b>  | Floor Treatment – Walk Behind – Commercial – Battery   |
| <b>Description:</b>  |  |
| <b>We, Numatic hereby declare under our sole responsibility, that the above-mentioned product(s) is/are in conformity with the following directives and standards.</b> |  |
| <b>S.I. 2008: 1597</b>   | <b>Supply of Machinery Regulations</b><br>EN60335-1:2012 + AC:2014 + A11:2014 + A13:2017 + A15:2021<br>EN60335-2-72:2012<br>EN62233:2008 |
| <b>S.I. 2016: 1091</b>   | <b>EMC Regulations</b><br>EN55014-1:2017 + A11:2020<br>EN55014-2:1997 + A1:2001 + A2:2008  |
| <b>S.I. 2012: 3032</b>   | <b>RoHS Regulations</b>  |

Authorised Signatory: Mr. Matthew Coles

Position: Head of Technology

Signed: *Matthew Coles* Date: 30<sup>th</sup> Aug 2023

Numatic International Limited,  
Chard,  
Somerset, TA20 2GB, UK

|  |   |
|--|---|
| <b>EU, EC, EL, UE, ES:</b><br><b>Declaration of Conformity</b><br>Prohlášení o shodě<br>Konformitátsveklárung<br>Overensstemmelseserklæring<br>Declaración de conformidad<br>Vastavusdeklaratsioon<br>Déclaration de conformité  | <b>Deklaracija zgodnosti</b><br>Declaratie de conformitate<br>Декларация о соответствии<br>Forsäkran om överensstämmelse<br>Izjava o skladnosti<br>Vaistmistenmukaisuvakuutus |
| <b>Manufacturer:</b> / Výrobce / Hersteller / Fabricant / Fabricante / Toojia / Fabricant / Производитель / Κατασκευαστής / Gyártó / Fabricante / Gaminiojas / Fabrikant / Producent / Fabricante / Producent / Producător / Производител / Tillverkare / Proizvajalca / Valmistaja: | Numatic International Limited<br>Chard<br>Somerset<br>TA20 2GB<br>www.numatic.co.uk<br>TTB1840, HTB1840   |
| <b>Product:</b> / Produkt / Produkt / Produkt / Producto, Toode, Produit / Товар / Produkt / Produkt / Artikel / Produkt / Produkto / Termék / Prodotto / Produktas / Artikel / Produkt / Produkto / Produkt / Produs / Товар / Produkt / Izdelka / Tuote:                           | Floor Treatment – Walk Behind – Commercial – Battery  |
| <b>Description:</b> / Opis / Beschreibung / Beskrivelse / Descripción / Kirjeldus / La description / Описание / Περιγραφή / Leitárs / Descriere / Apibūdinnimas / Omschrijving / Beskrivelse / Descrição / Opis / Descrictie / Описание / Beskrivning / Opis / Kuvaus:               |   |
| <b>GB We, Numatic hereby declare under our sole responsibility, that the above-mentioned product(s) is/are in conformity with the following directives and standards.</b>  | <b>PT</b> Nós, a Numatic declaramos, sob nossa exclusiva responsabilidade, que o produto acima mencionado está em conformidade com as diretivas e normas a seguir.            |
| <b>CZ</b> My, Numatic prohlašujeme na svou vylučnou odpovědnost, že výše uvedeny výrobek je ve shodě s následujícími směrnici a normami.   | <b>PL</b> My, Numatic niniejszym oświadczamy z pełną odpowiedzialnością, że wyżej wymieniony produkt jest zgodny z następującymi dyrektywami i normami.                       |
| <b>DE</b> Wir, Numatic erklären in alleiniger Verantwortung, dass das oben genannte Produkt den folgenden Richtlinien und Normen entspricht.   | <b>RO</b> Noi, Numatic Prin prezenta declarăm pe propria răspundere, că produsul mai sus menționat este în conformitate cu următoarele standarde și directive.                |
| <b>DK</b> Vi, Numatic erklærer hermed under eget ansvar at ovennævnte produkt(er) er i overensstemmelse med følgende direktiver og standarder.   | <b>RU</b> Мы, Нуматик овим изаавъннем моА пуном одговорношћу, да наведеиор произвоД је у складу са одређеним директивама и стандардима.                                       |
| <b>ES</b> Nosotras, Numatic declaramos bajo nuestra única responsabilidad que el producto antes mencionado está en conformidad con las siguientes directivas y normas.   | <b>SE</b> Vi Numatic förklarar härmed under eget ansvar att ovan nämnda produkt överensstämmer med följande direktiv och normer.  |
| <b>EE</b> Meie, Numatic käesolevaga kinnitame ja kanname ainuühtlalt vastutust, et eespool nimetatud toode on kooskõlas järgmistega direktiivide ja  | <b>SI</b> Mi, Numatic izjavljamo s polno odgovornostjo, da je zgoraj omenjeni izdelek v skladu z naslednjimi smernicami in standardi.   |
| <b>FR</b> Numatic déclare sous notre seule responsabilité que le produit mentionné ci-dessus est conforme aux directives et normes suivantes.  | <b>FI</b> Me, Numatic täten vakuutamme omalla vastuulla, että edellä mainittu tuote on yhdenmukainen seuraavien direktiivien ja standardien mukaisesti!                       |

2006/42/EC

Machinery Directive

EN60335-1:2012 + AC:2014 + A11:2014 + A13:2017 + A15:2021

EN60335-2-72:2012

EN62233:2008

2014/30/EU

EMC Directive

EN55014-1:2017 + A11:2020

EN55014-2:1997 + A1:2001 + A2:2008

2011/65/EU

RoHS Directive

Authorised Signatory: Mr. Matthew Coles

Position: Head of Technology

Numatic International Limited

Signed: *Matthew Coles*

Chard,

Somerset, TA20 2GB, UK

Date: 09<sup>th</sup> August 2023

DEC-064 V2.1

For declaration of conformity for model NUC244. TM see supplement sheet part no. 916050.

DEC-064 V3.2



This Machine Has Been Packed  
With The Following

Brush / Pad

Floor Tool

Charging Lead

Battery

Fuse Pack

Signed

Distributed by:

# Numatic

numatic.com

Numatic International Limited.  
Chard, Somerset TA20 2GB ENGLAND  
Tel: 01460 68600 [www.numatic.co.uk](http://www.numatic.co.uk)

Numatic International GmbH. Fränkische Straße 15–19  
D-30455 Hannover, DEUTSCHLAND  
Tel: 05 11 98 42 16 0 [www.numatic.de](http://www.numatic.de)

Numatic International SAS. 13 / 17 rue du Valengelier  
EAE La Tuilerie, 77500 CHELLES, FRANCE  
Tel: 01 64 72 61 61 [www.numatic.fr](http://www.numatic.fr)

Numatic International BV, Vennootsweg 15  
2404 CG, Alphen aan den Rijn, Nederland  
Tel: +31 172 467 999 [www.numatic.nl](http://www.numatic.nl)

Numatic International (Pty.) Ltd.  
16th & Pharmaceutical Roads, Midrand, Gauteng,  
SOUTH AFRICA 1685  
Tel: 0861 686 284 [www.numatic.co.za](http://www.numatic.co.za)

Numatic International Schweiz AG.  
Sihlbruggstrasse 3A, 6340 Baar. SCHWEIZ  
Tel: 0041 (0) 41 76 80 76 - 0 [www.numatic.ch](http://www.numatic.ch)

Numatic International ULDA. Rua da Boa Viagem, 177  
4470.210 Maia. PORTUGAL  
Tel: +351 220 047 700 [www.numatic.pt](http://www.numatic.pt)

Numatic International SLU. C/ La Forja, 41, 08840 Viladecans  
(Barcelona), Spain  
Tel: +34 93 647 22 22 [www.numatic.es](http://www.numatic.es)

Numatic International Denmark. Fränkische Straße 15-19,  
30455 Hannover, DEUTSCHLAND  
Tel: +45 (0) 31 64 08 08 [info@numatic-online.dk](mailto:info@numatic-online.dk)  
[www.numatic-online.dk](http://www.numatic-online.dk)

This Product has been comprehensively inspected and checked during every stage of its manufacture.  
Including an in-depth electrical safety and functionality test.

Specification subject to change without prior notice  
numatic.com © Numatic International Limited  
912765 11/23 (A09)